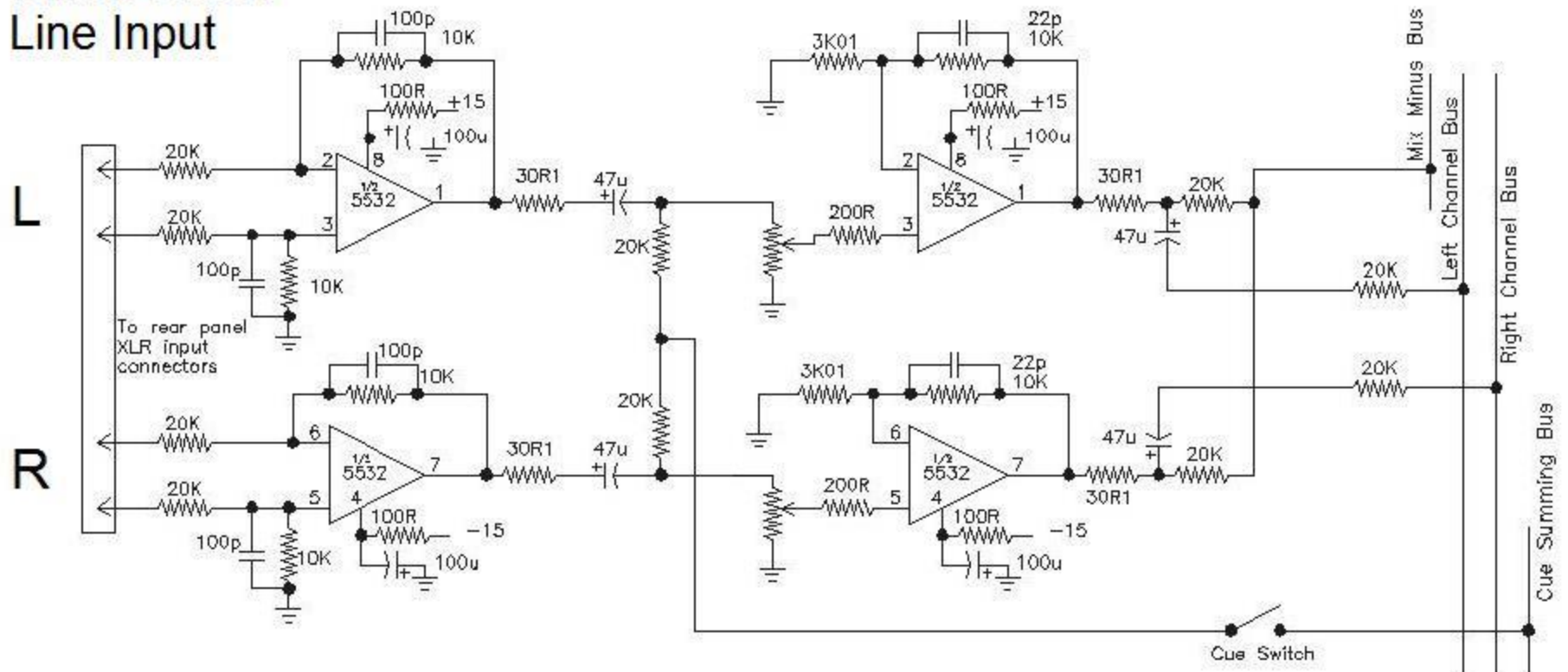


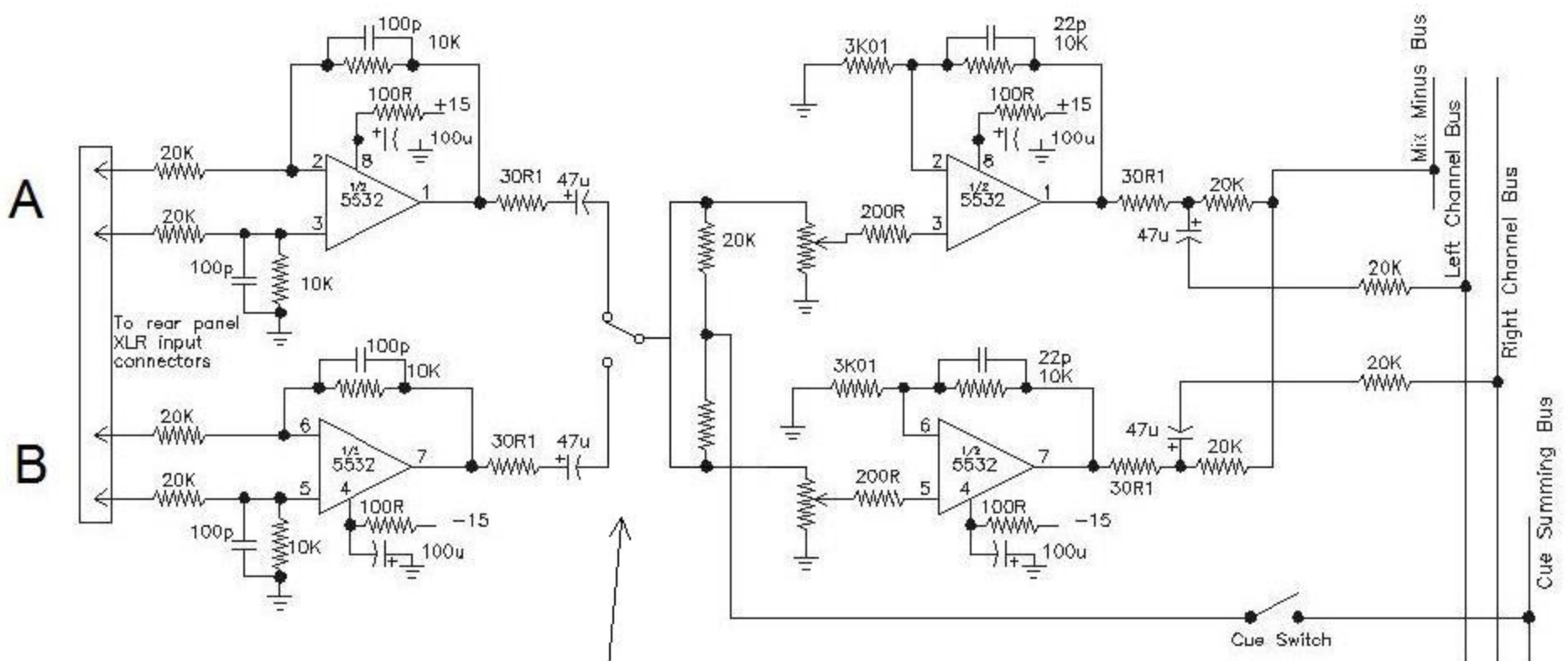
Dixon NewsMixer NM-250 MkII Line Input Modification

The addition of two toggle switches and associated wiring changes as shown below converts the Dixon Newsroom mixer from two stereo line inputs to four mono inputs. Each fader now has A and B input choices.

Stock Stereo Line Input



Mod for Two Mono Inputs



Steve Johnston
Wisconsin Public Radio

Added SPDT
toggle switch

ON/OFF



NM-250 MKII
Newsroom Mixer



TALK 1 TALK 2



LINE A/B

COMPUTER



FRONT JACK



LINE ONE



LINE TWO



MONITOR



OM
OUND CARD



LINE INPUT #2



A



B

LINE INPUT #1



A



B

PHON



CARD
LEVEL

MONITOR OUT
LEFT/RIGHT

CONTROL
(See Manual)

MIX/MINUS
OUT

OFF-AIR IN
LEFT/RIGHT

TALKBACK IN
TB #2/TB #1

