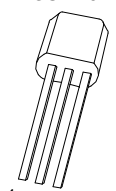
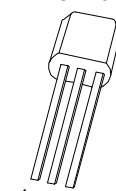
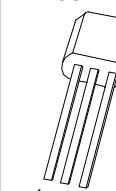
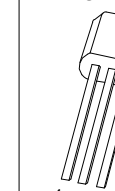
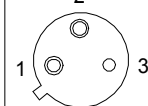
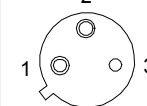
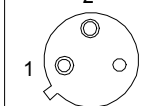
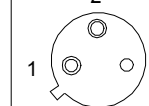


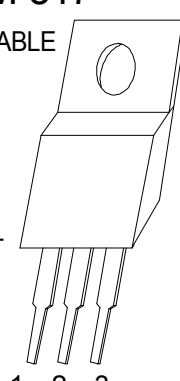
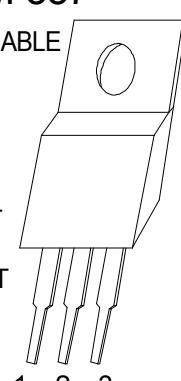
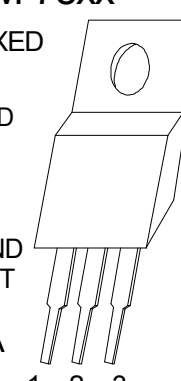
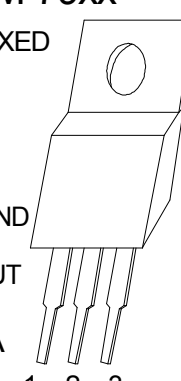
3 TERMINAL REGULATORS

TO-92 $I_{OUT} = 100 \text{ mA}$

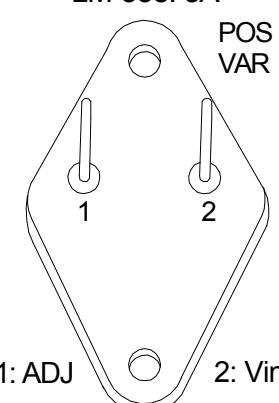
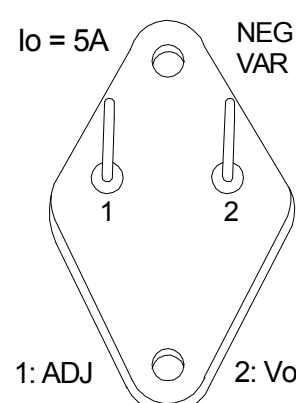
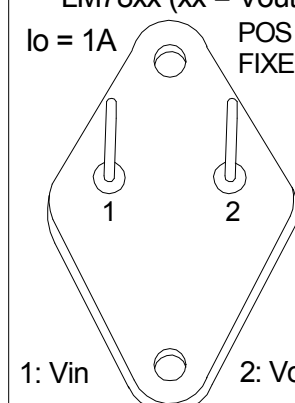
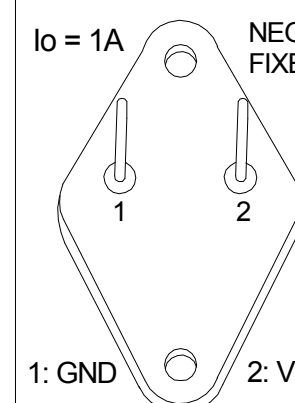
TO-39 $I_{OUT} = 200 - 500 \text{ mA}$

<p>LM-317L POS ADJ</p>  <p>1 2 3</p> <p>1: INPUT 2: ADJUST 3: OUTPUT</p> <p>FRONT VIEW</p>	<p>LM-337L NEG ADJ</p>  <p>1 2 3</p> <p>1: ADJUST 2: OUTPUT 3: INPUT</p> <p>FRONT VIEW</p>	<p>LM-78Lxx POS FIXED</p>  <p>1 2 3</p> <p>1: OUTPUT 2: GROUND 3: INPUT</p> <p>FRONT VIEW</p>	<p>LM-79Lxx NEG FIXED</p>  <p>1 2 3</p> <p>1: GROUND 2: INPUT 3: OUTPUT</p> <p>FRONT VIEW</p>	<p>LM-317H POSITIVE ADJUSTABLE</p>  <p>Case = OUTPUT</p> <p>1: INPUT 2: ADJUST 3: OUTPUT (Case)</p> <p>BOTTOM VIEW</p>	<p>LM-337H NEGATIVE ADJUSTABLE</p>  <p>Case = INPUT</p> <p>1: ADJUST 2: OUTPUT 3: INPUT (Case)</p> <p>BOTTOM VIEW</p>	<p>LM-309H LM-78xx POSITIVE FIXED</p>  <p>Case = GROUND</p> <p>1: INPUT 2: OUTPUT 3: GROUND (Case)</p> <p>BOTTOM VIEW</p>	<p>LM-79xx NEGATIVE FIXED</p>  <p>Case = OUTPUT</p> <p>1: GROUND 2: OUTPUT 3: INPUT (Case)</p> <p>BOTTOM VIEW</p>
--	--	---	---	--	--	--	---

TO-220

<p>LM-317 POS VARIABLE</p>  <p>TAB = OUTPUT (pin 2)</p> <p>1: ADJUST 2: OUTPUT 3: INPUT</p> <p>$I_o = 1A$</p> <p>1 2 3</p> <p>FRONT VIEW</p>	<p>LM-337 NEG VARIABLE</p>  <p>TAB = INPUT (pin 2)</p> <p>1: ADJUST 2: INPUT 3: OUTPUT</p> <p>$I_o = 1A$</p> <p>1 2 3</p> <p>FRONT VIEW</p>	<p>LM-78xx POS FIXED</p>  <p>TAB = GROUND (pin 2)</p> <p>1: INPUT 2: GROUND 3: OUTPUT</p> <p>$I_o = 1A$</p> <p>1 2 3</p> <p>FRONT VIEW</p>	<p>LM-79xx NEG FIXED</p>  <p>TAB = INPUT (pin 2)</p> <p>1: GROUND 2: INPUT 3: OUTPUT</p> <p>$I_o = 1A$</p> <p>1 2 3</p> <p>FRONT VIEW</p>
--	---	---	---

TO-204 / ~ TO-3

<p>LM-317: 1A LM-350: 3A LM-338: 5A</p>  <p>POS VAR</p> <p>1: ADJ 2: Vin</p> <p>Case = Vout</p> <p>BOTTOM VIEW</p>	<p>LM337</p>  <p>NEG VAR</p> <p>$I_o = 5A$</p> <p>1: ADJ 2: Vout</p> <p>Case = Vin</p> <p>BOTTOM VIEW</p>	<p>LM309 & LM140/340 LM78xx (xx = Vout)</p>  <p>POS FIXED</p> <p>$I_o = 1A$</p> <p>1: Vin 2: Vout</p> <p>Case = Ground</p> <p>BOTTOM VIEW</p>	<p>LM79xx (xx = Vout)</p>  <p>NEG FIXED</p> <p>$I_o = 1A$</p> <p>1: GND 2: Vout</p> <p>Case = Vin</p> <p>BOTTOM VIEW</p>
---	---	--	--

NOTES:

1. 78L/79L Series: a) 'LxxC' = 10%; b) 'LxxAC' = 5%; c) Suffix: "H" = TO5 / TO-39 "Z" = TO-92
2. The specifications for maximum current require heatsinking.
3. The various current maxima differ in several specifications listings, I used the more conservative-always.
4. The TO-220 regulators with an "M" suffix are 0.5A regulators-regardless of heatsinking.
5. There was a 78H12 12V 5A regulator brought out *after* the H suffix was used for the LM-309-H, etc.
6. Please address error reports to: <n4xy@earthlink.net>

TITLE:

3 TERMINAL REGULATORS

FILENAME:
REGULATORS.SKF

SECTION:
Parts/Transistors

DATE:
2002 04 07

E. T. TANTON

N4XY

PAGE NR:
1 of 1
CONNECTIVE COUNT:
n/a
VERSION:
1.0c